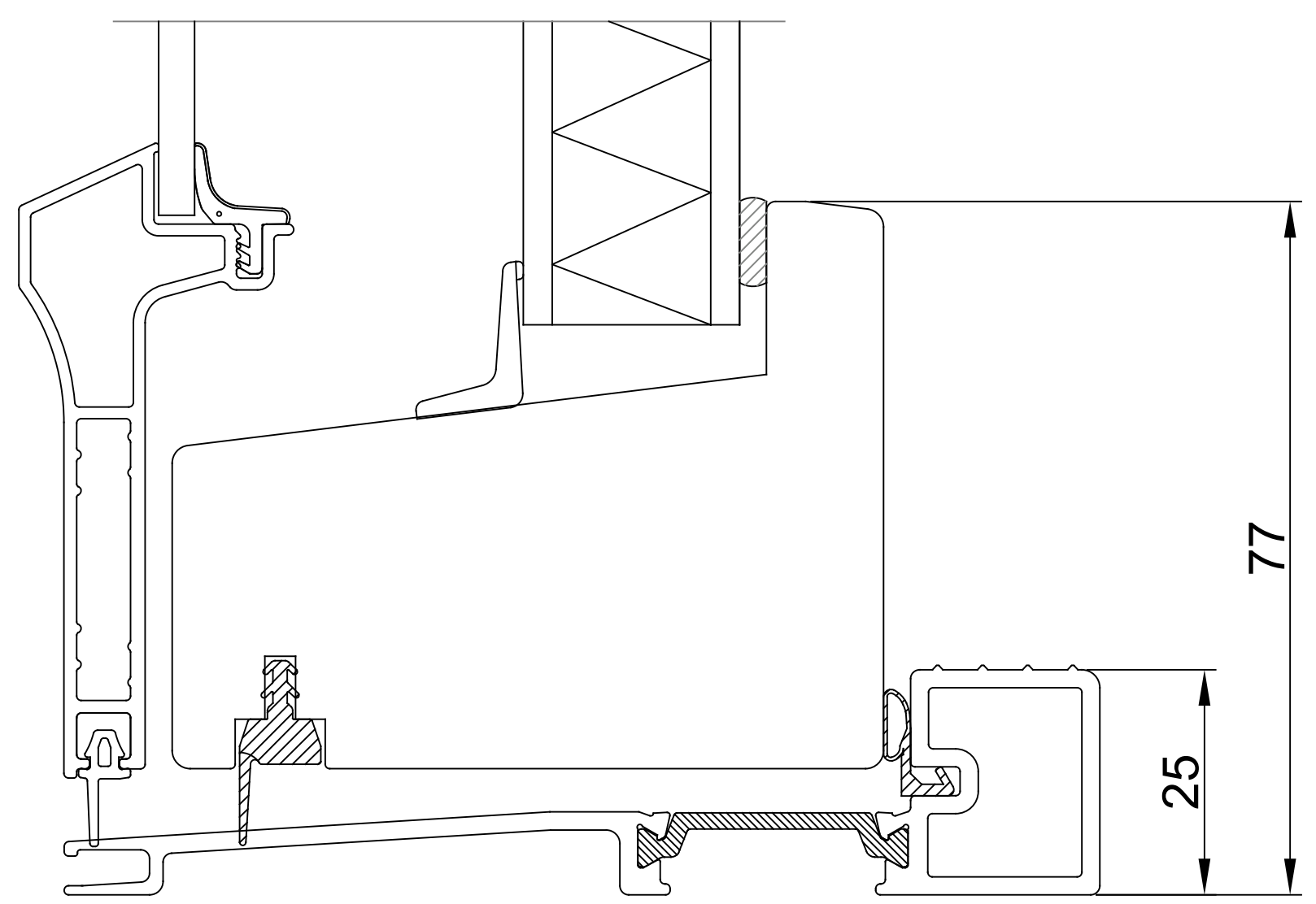
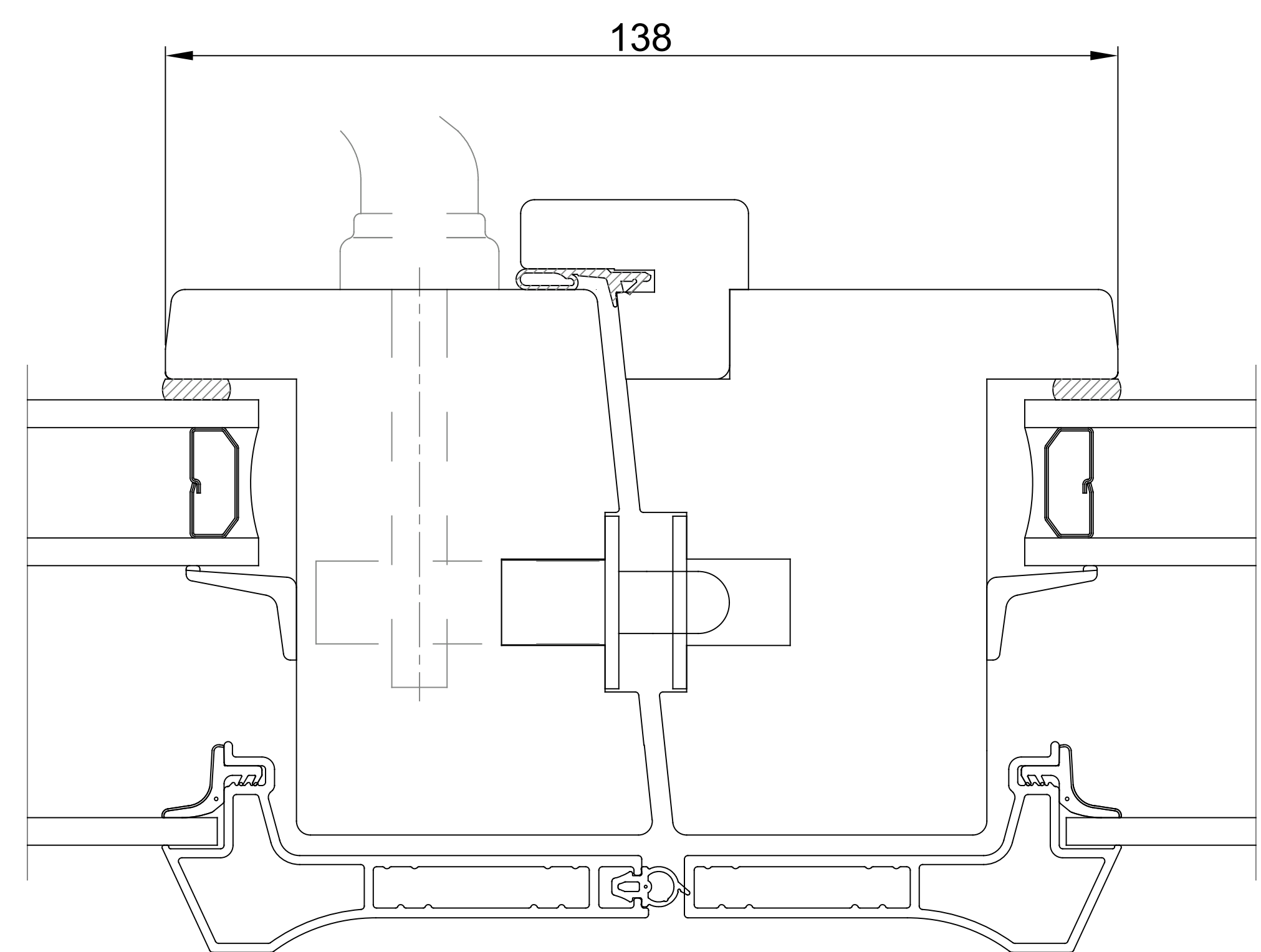
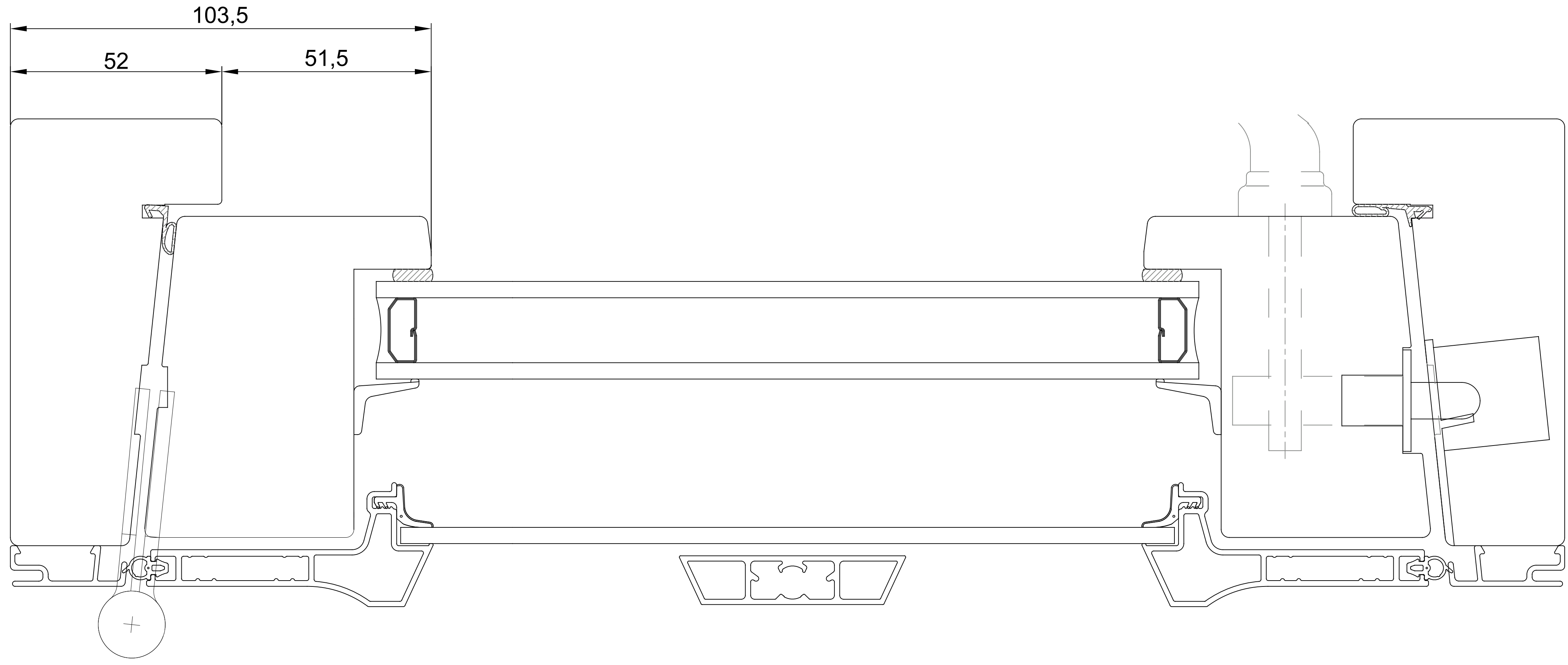
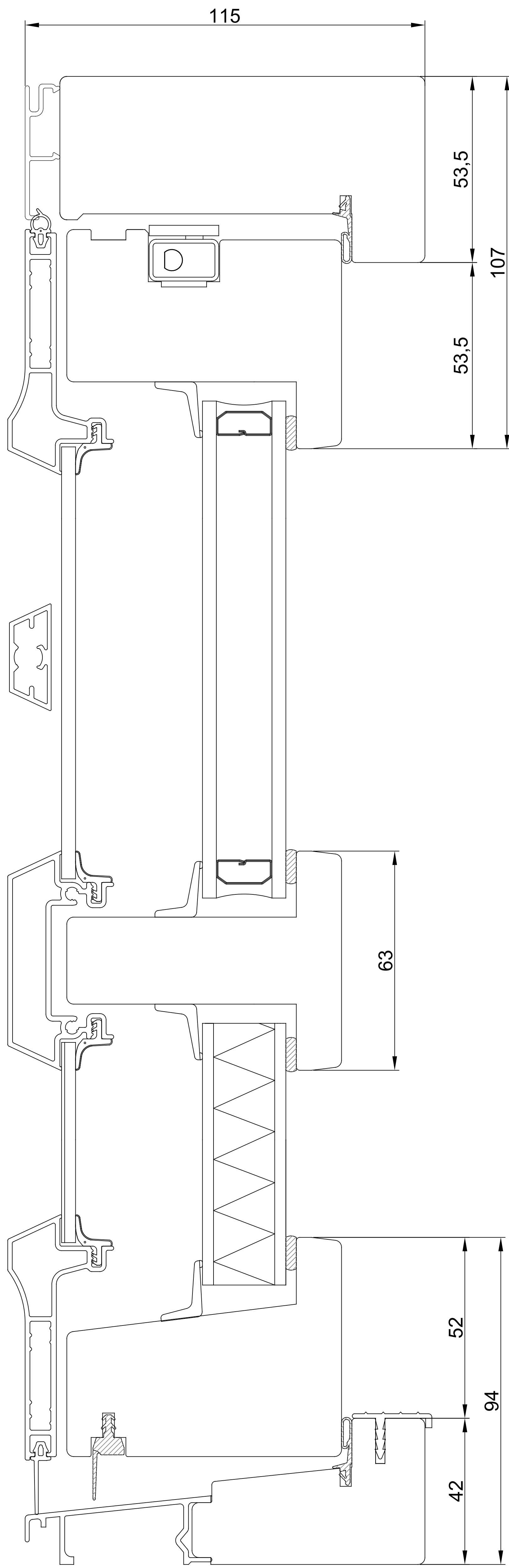

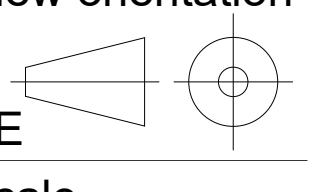


Rev	Description	Rev. by	Date



Designed by TE	Designed date 2020-08-19	Product Category Window Outward	Processing Code
Approved by TE	Approved date 2020-08-19	Product Type Coupled	Material
		Snittriting	Tolerances unless otherwise specified
		2+1 utåtgående	View orientation E 
		Section drawing	Article Number
		2+1 outward opening	Scale 1:1
			Drawing Number 61-37-D303
			Revision A

We reserve all rights in this document and in the information contained therein.
 Reproduction, use or disclosure to third parties without express authority is strictly forbidden.
 INWIDO