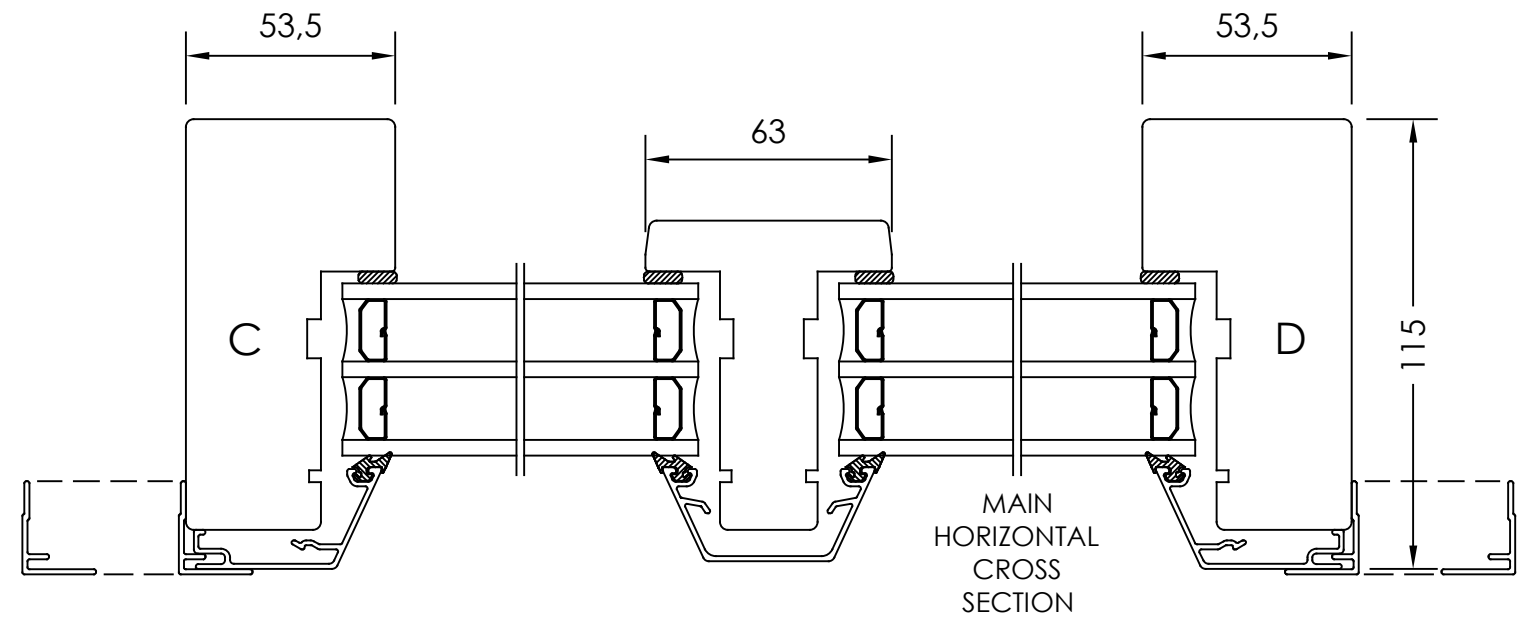
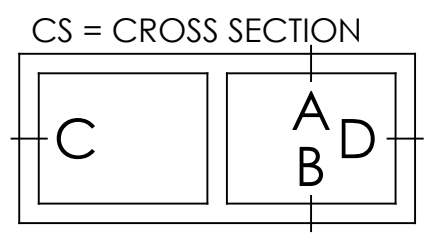
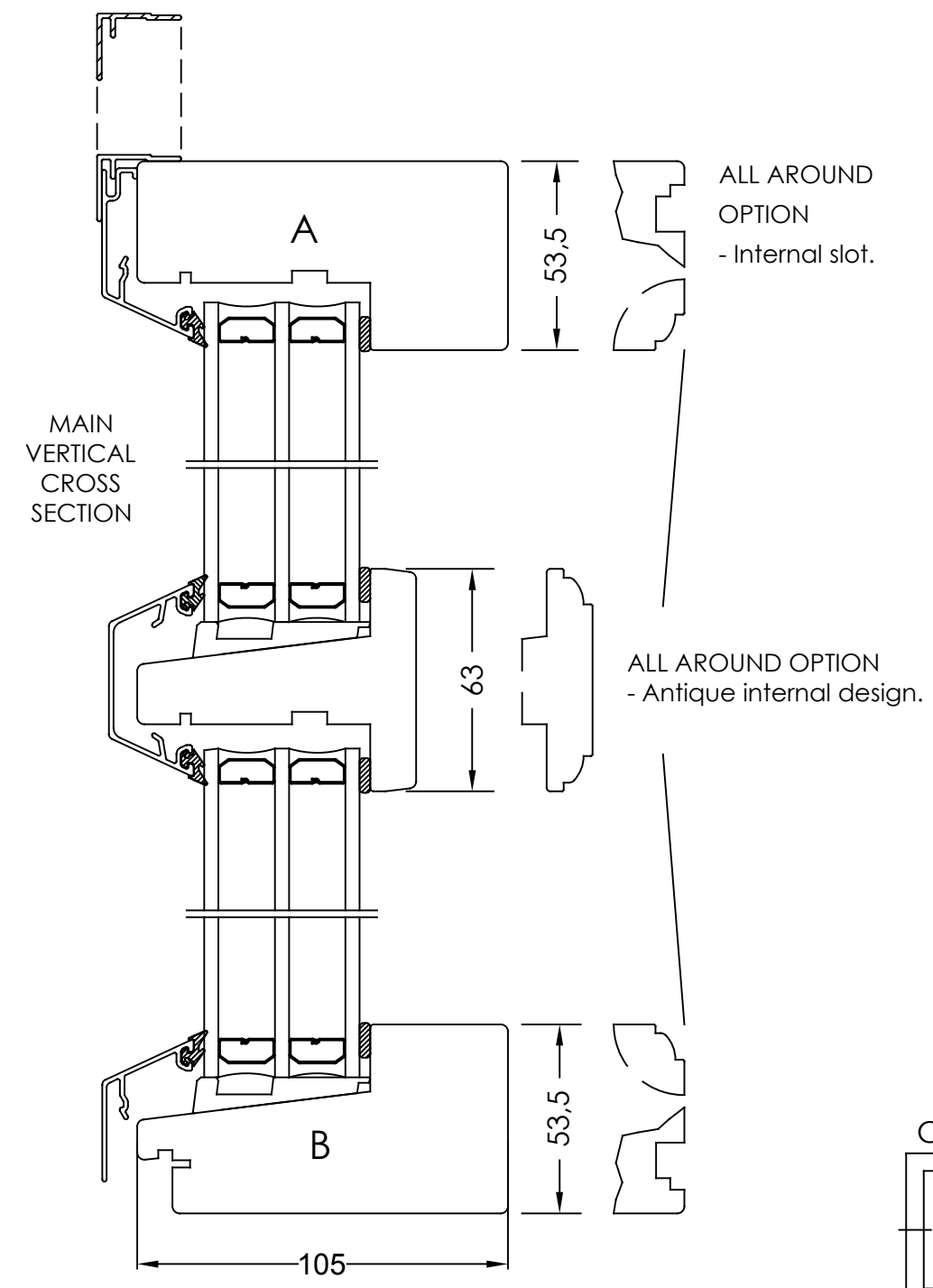

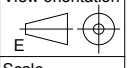


Rev	Description	Rev. by	Date
B	Rättat felaktig placering av smygspår.	SH	2017-04-21



VERTICAL AND TOP OPTION  
 - Profile for plastered fasades.  
 Frame depth 117mm.



Designed by <b>JB</b>	Designed date <b>2015-08-26</b>	Product Category	Processing Code
Approved by <b>SH</b>	Approved date <b>2017-05-24</b>	Product Type	Material
		Fast 3-glas, alu Fixed 3-glass, alu	Tolerances unless otherwise specified
		View orientation 	
		Article Number	Scale
		Drawing Number <b>61-37-F201</b>	Revision <b>B</b>

We reserve all rights in this document and in the information contained therein. Reproduction, use or disclosure to third parties without express authority is strictly forbidden. INWIDO