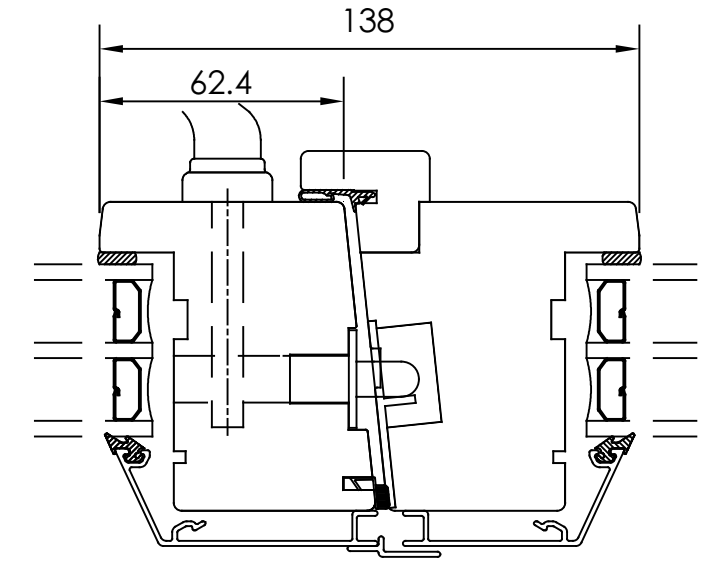
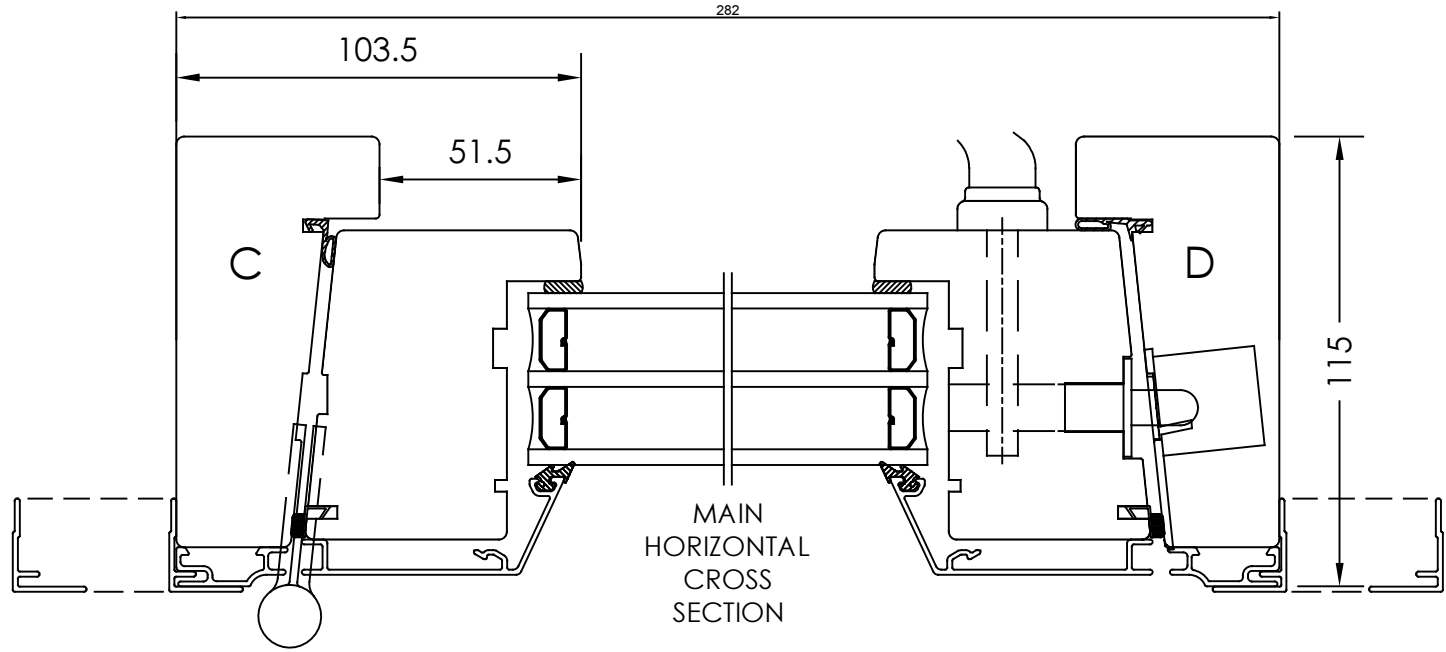
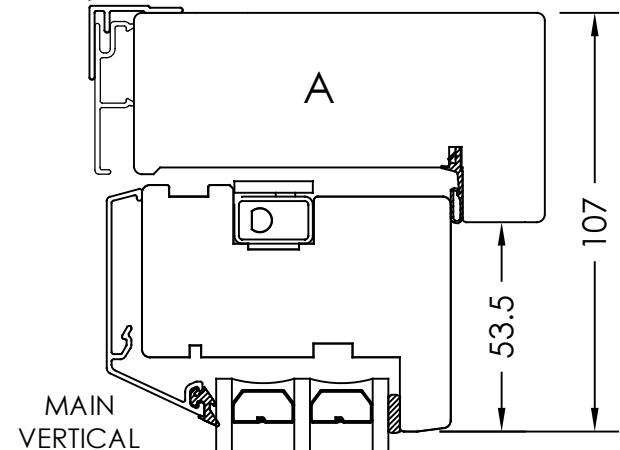


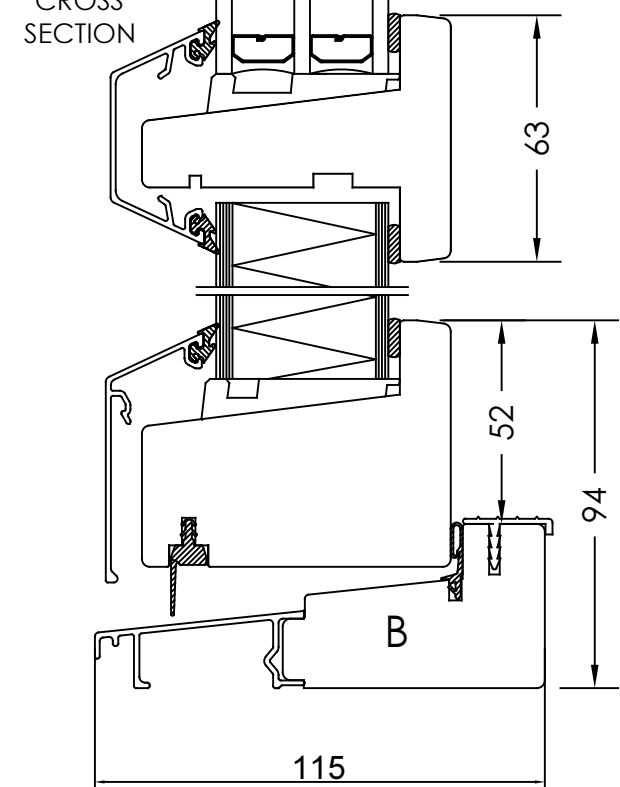
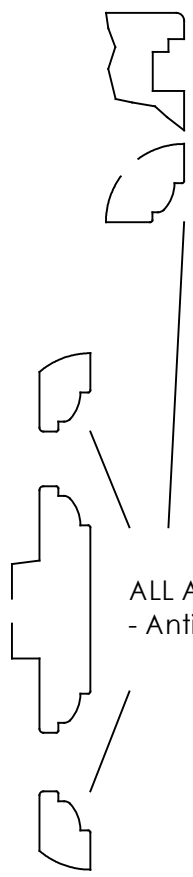
| Rev | Description | Rev. by | Date |
|-----|--|---------|------------|
| B | Bytt alu hcp tröskel, bytt alu karmsida, flyttad handtagsplacering för dörrdjup 33 | SH | 2017-03-15 |



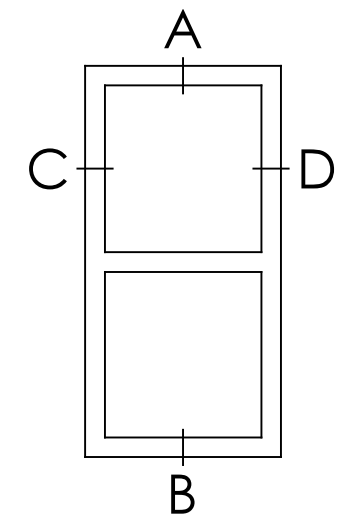
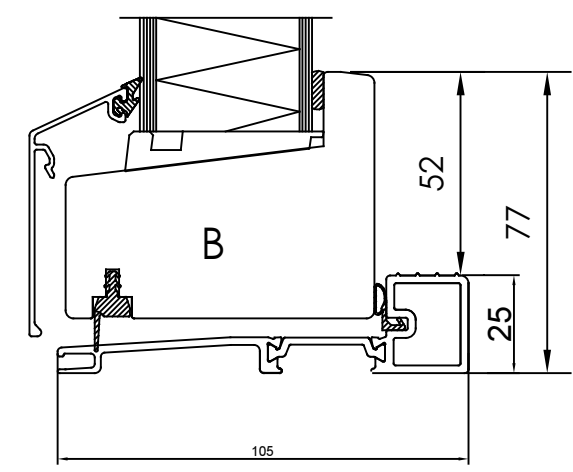
VERTICAL AND TOP OPTION
- Profile for plastered fasades.
Frame depth 117mm.




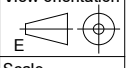
VERTICAL AND TOP OPTION
- Internal slot.



VERTICAL CS OPTION
- Low handicap threshold.



CS = CROSS SECTION

| | | | |
|---|------------------------------------|---|---|
| Designed by JB | Designed date 2015-08-27 | Product Category Window Outward | Processing Code |
| Approved by JB | Approved date 2017-05-09 | Product Type Side Hung | Material |
|  | | Dörr 3-glas, Alu Door 3-glass, Alu | Tolerances unless otherwise specified |
| | | Article Number | View orientation  |
| | | Drawing Number 61-37-D201 | Revision B |

We reserve all rights in this document and in the information contained therein. Reproduction, use or disclosure to third parties without express authority is strictly forbidden. INWIDO