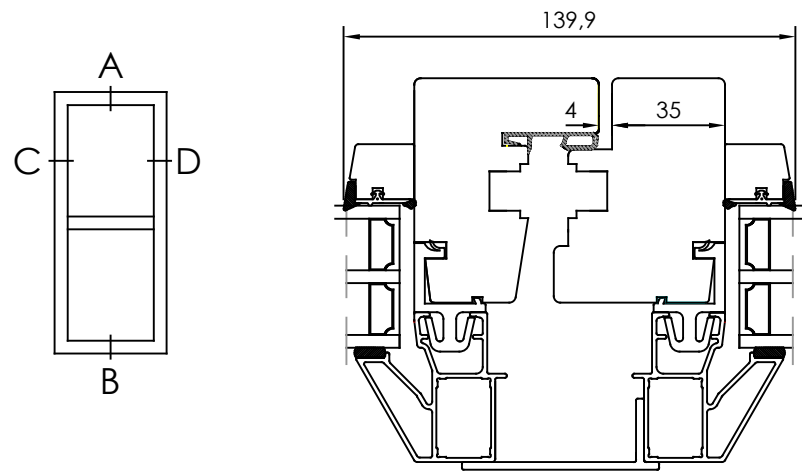


Upphovsrätten till detta dokument och alla bilagor omfattas till mottagaren personligen, den får inte offentliggöras eller på annat sätt reproduceras detta dokument till tredje part utan skriftligt tillstånd är strängt förbehållet.

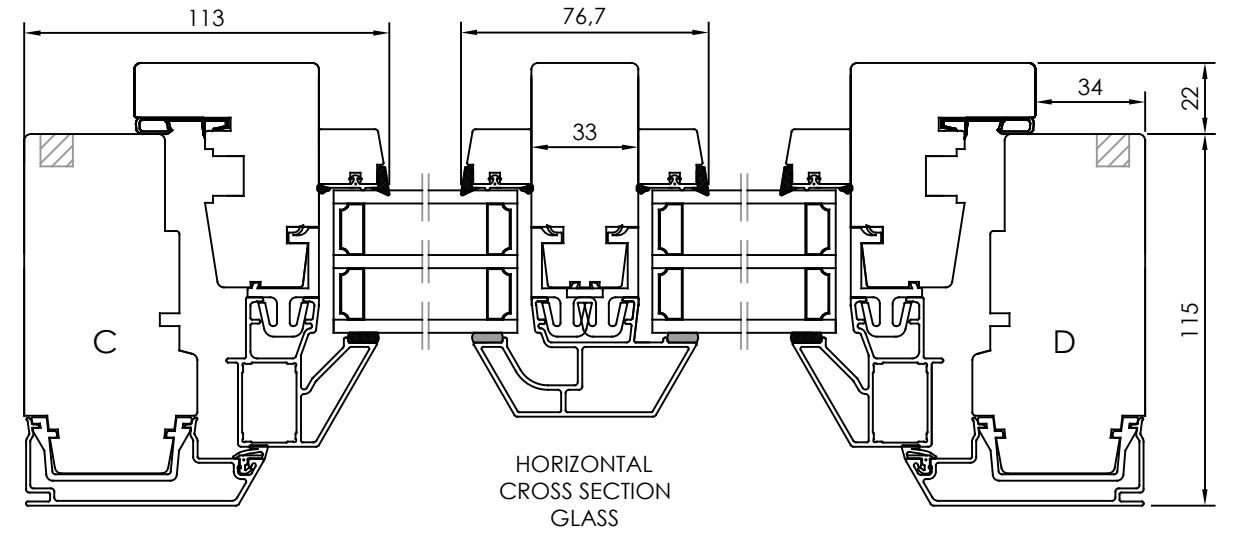


HORIZONTAL CS OPTION
- Two horizontal abutting sashes.

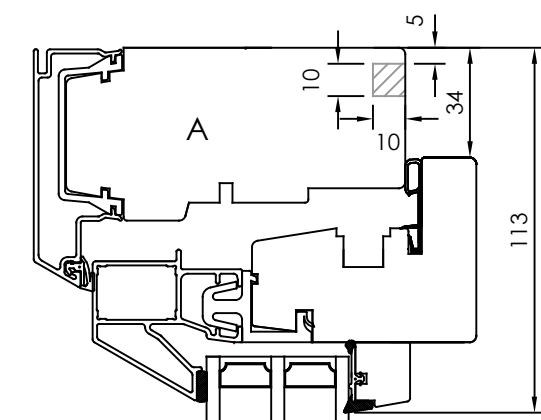
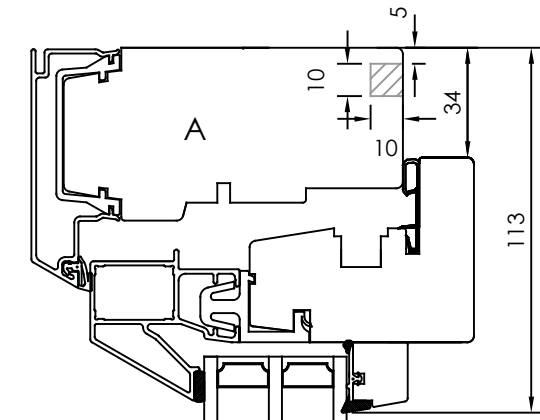
VARIANT, FITTINGS
- Exterior hinges.
- Exterior tilt before turn hinges (kipp-dreh).
- Internal hidden tilt before turn hinges (kipp-dreh).

ALL AROUND OPTION
- Internal slot (not for exterior kipp-dreh).

ALL AROUND OPTION
- Internal slot (not for exterior kipp-dreh).

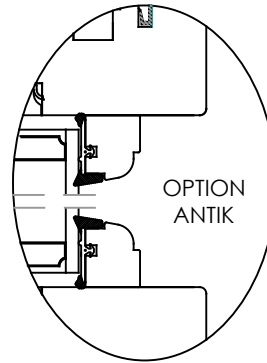


HORIZONTAL CROSS SECTION GLASS

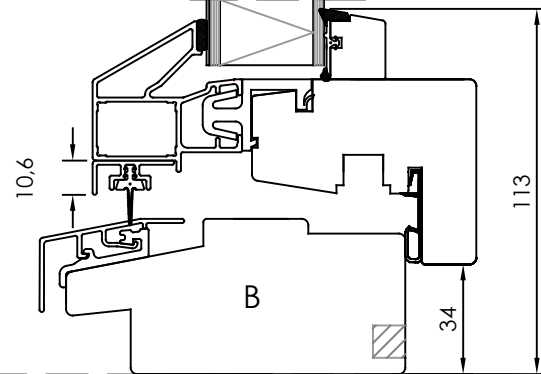
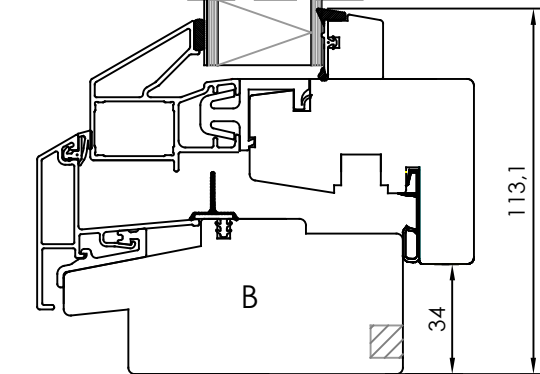


MAIN VERTICAL CROSS SECTION

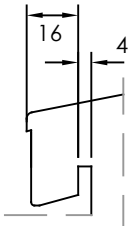
MAIN VERTICAL CROSS SECTION



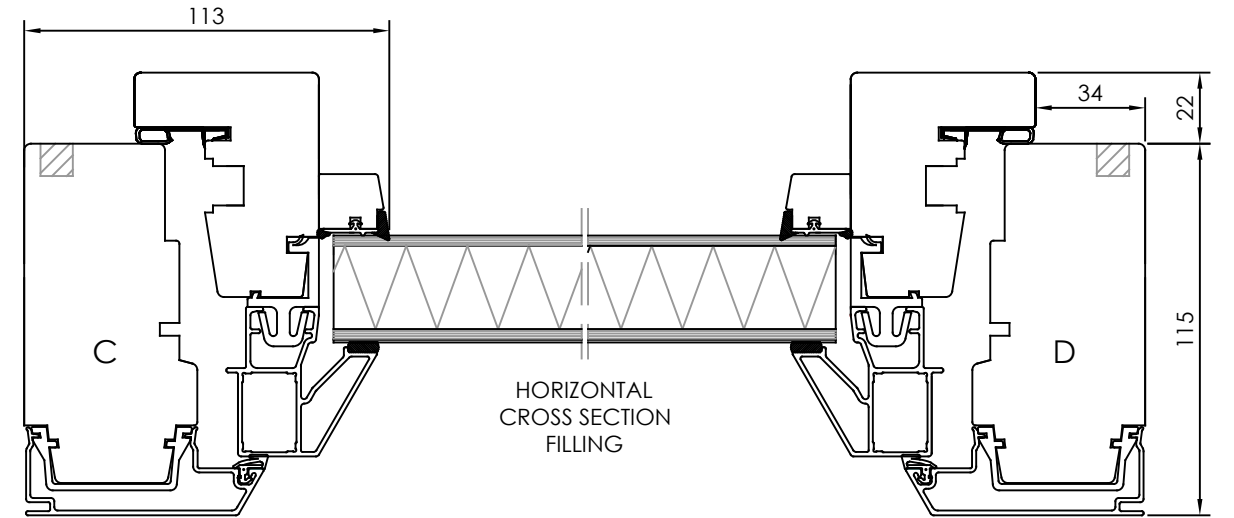
OPTION ANTIK



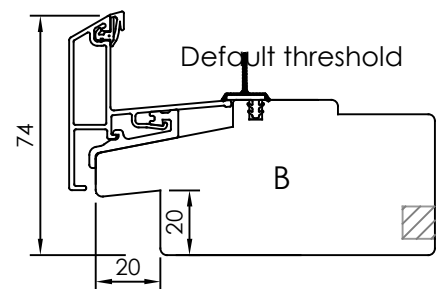
VERTICAL CS OPTION
- Norwegian nose.



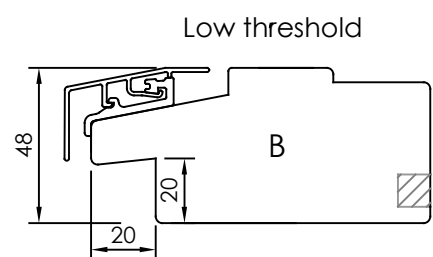
CS = CROSS SECTION



HORIZONTAL CROSS SECTION FILLING



Default threshold

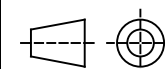


Low threshold

Item	No.	Description	Drawingnumber	Articlenumber
Revision notification			Revised by	Revised date
AM40-20161109TE				
Revision description		Glasningslister trä/gummi utbytta		
Description			Created by	Created date
Patio door, Inward opening, 3-glass.			TE	2017-12-06
Material		General tolerance acc. to ISO2768-1	Processing code	
		ISO 2768-1 m		
Included in product		Included in product family	Article number	
Inward		Side Hung		



Draw view



Scale

1:2

Size

A3

Drawing number

40-37-W43

Revision no.

A